

POLOLU TB6612FNG DUAL MOTOR DRIVER

CARRIER

USER'S GUIDE

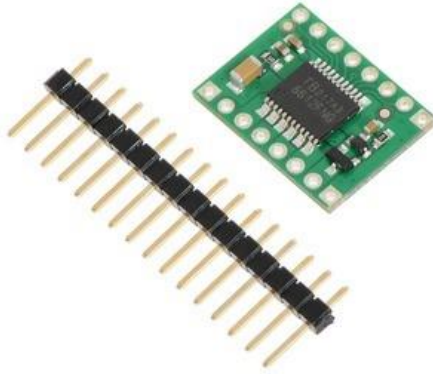
REAL-WORLD POWER DISSIPATION CONSIDERATIONS

The TB6612 motor driver used on the carrier board has a peak current rating of 3 A per channel. The peak ratings are for quick transients (e.g. when a motor is first turned on), and the continuous rating of 1 A is dependent on various conditions, such as the ambient temperature. The actual current you can deliver will depend on how well you can keep the motor driver cool. The carrier's printed circuit board is designed to draw heat out of the motor driver chip, but performance can be improved by adding a heat sink.

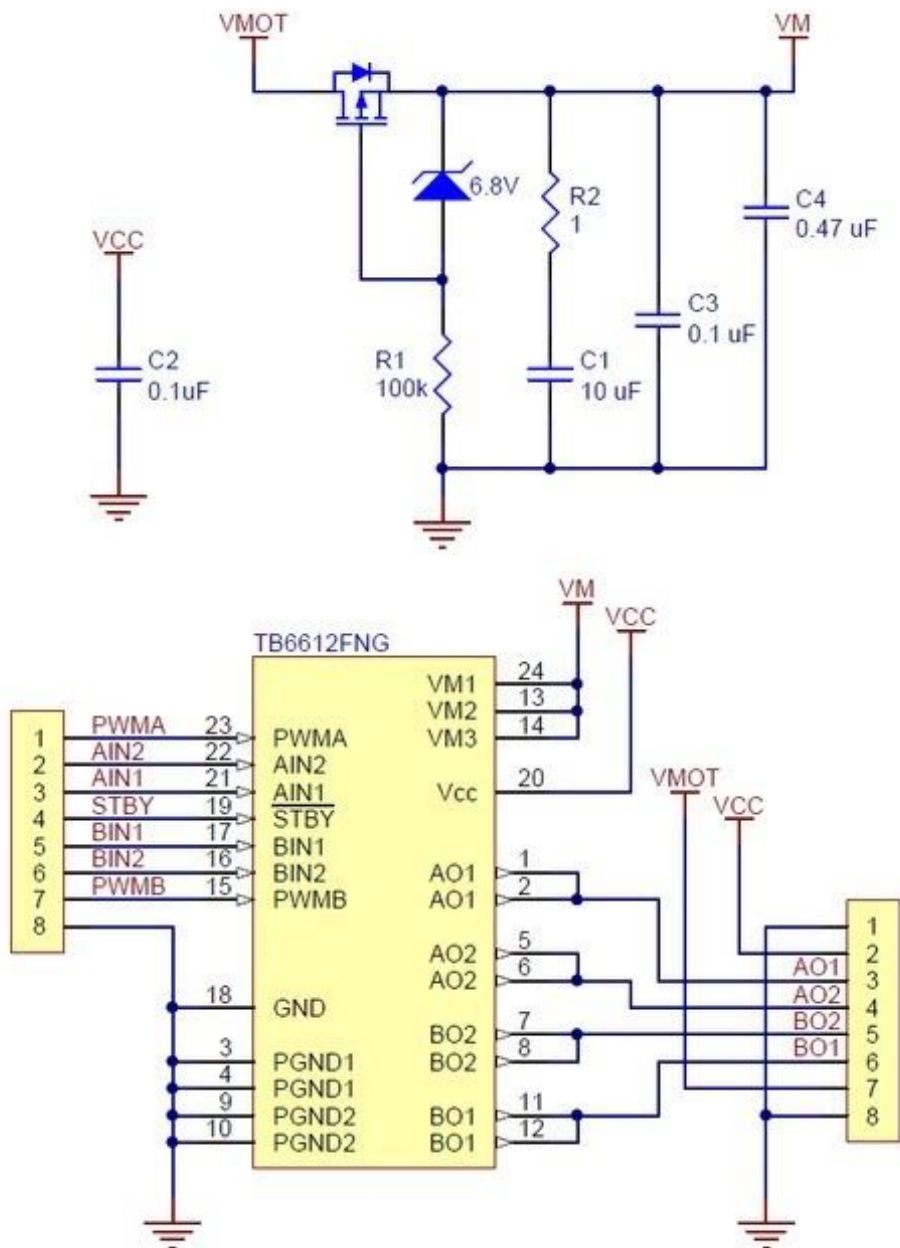
This product can get hot enough to burn you long before the chip overheats. Take care when handling this product and other components connected to it.

INCLUDED HARDWARE

A 1×16-pin breakaway [0.1" male header strip](#) is included with the TB6612FNG motor driver carrier. This strip can optionally be soldered to the carrier board so that it can be used with perfboards, solderless breadboards, or 0.1" female connectors. (The headers might ship as two 1×8 pieces or as a single 1×16 piece that can be broken in half.)



SCHEMATIC DIAGRAM



July 9, 2013 Update: We have changed this carrier board slightly by replacing the tall electrolytic capacitor with a much smaller ceramic capacitor. The two versions are functionally identical. The two versions are pictured below, with the left one showing the new version and the right showing the original version.

