

Microduino-AudioPro

USER GUIDE

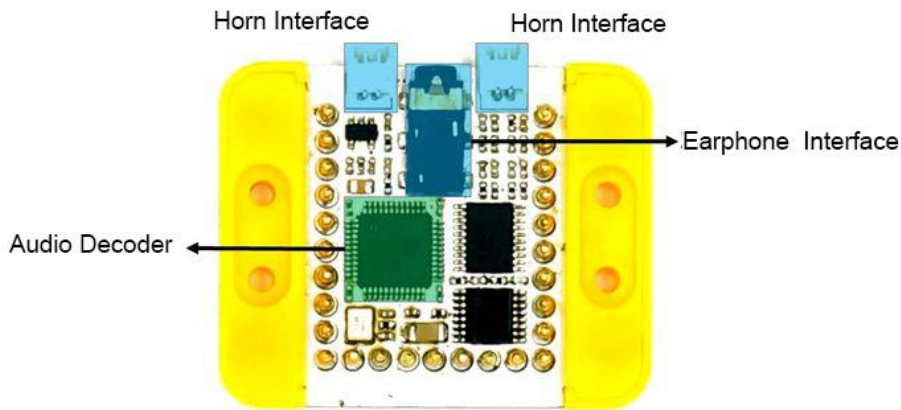
Content

Description of Pins	2
Documents	3
Development.....	3

Description of Pins

D2 pin is the real-time MIDI interface:

- The real-time MIDI is not enabled by default. If you need to enable it, just short connect the jumper on the back of the module;
- After enabling the real-time MIDI, the baud rate of UART should be 31250bps, and at this time, SPI interface will not be available.



microduino | a product of makermodule | confidential | www.microduino.cc

Name of AudioPro pin	Microduino pin	Function
SCK	D13	SPI bus clock
SI	D12	Data input pin
SO	D11	Data output pin
CS	A3	SPI chip select signal (need to be defined in the program)
DCS	A2	Data/command mode choose (need to be defined in the program)
DERQ	3	Interrupt output (need to be defined in the program)
MIDI	2	MIDI input (not enabled by default)

Documents

- Eagle SCH : [File:AudioPro.pdf](#)
- vs1053 module material(Chinese) : [File:Vs1053 cn.pdf](#)
- vs1053module material(English) : [File:Vs1053.pdf](#)

Development

- You can test the function through the _06_Microduino_AudioPlus_VS1053 library:[github](#);
- Related example programs to download : [github](#):
 - Thereinto, **Audio_MIDI** is the example program of SPI interface realizes the real-time MIDI through loading the patches;
 - Thereinto, **Audio_ROM** is the example program of playing audio files in ROM.
- You can see the MIDI material in the attachment;
- Tool for the hexadecimal to audio files : [File:DataToHex.zip](#).