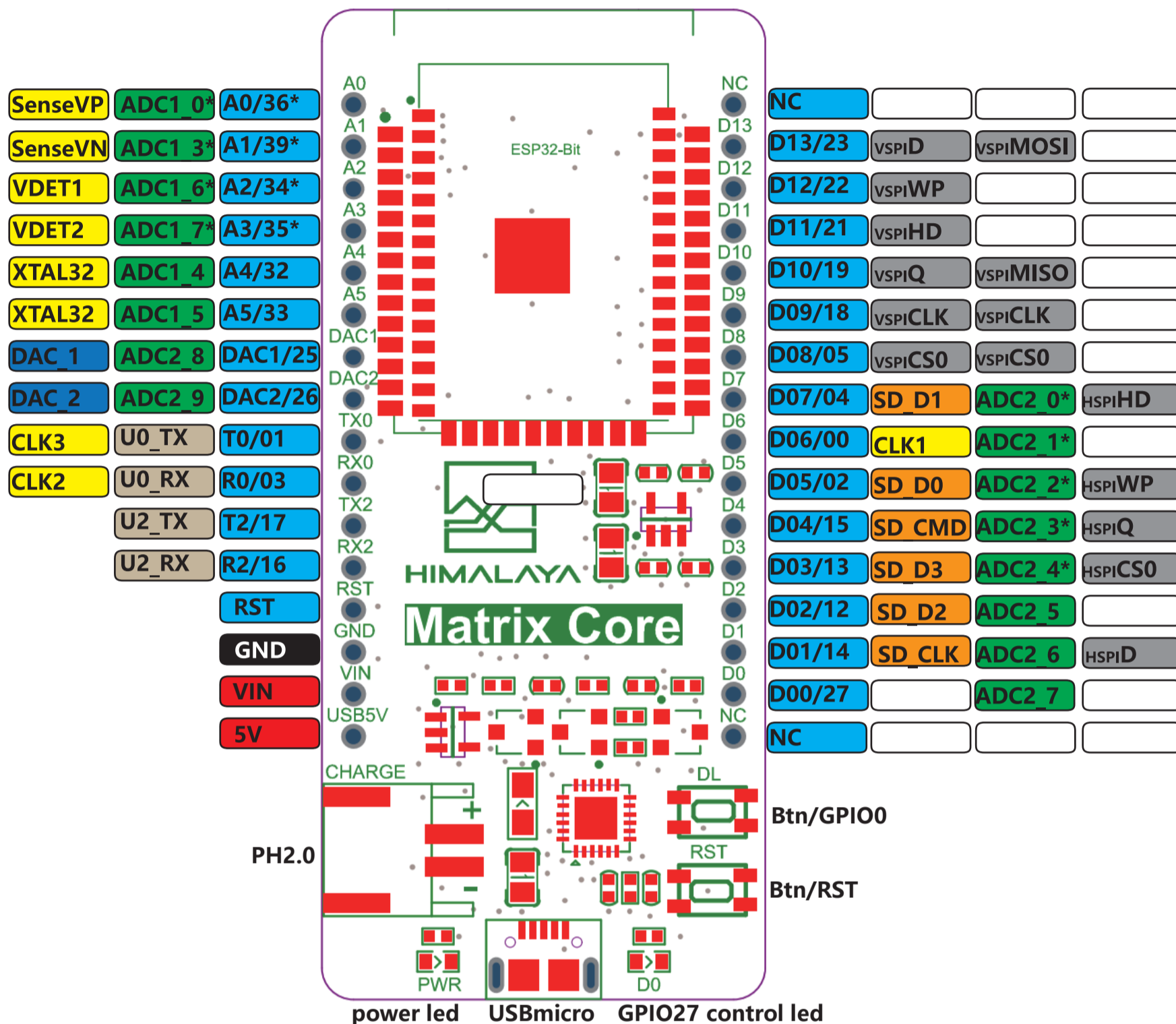


# Matrix-Core Pin List



## Power

USB5V: connect to USB(5V); input or output.  
 VIN : connect to MIC5219-3.3; input 3.4V-5V.  
 PH2.0 : connect to battery(and charger);  
 Battery charged 300ma by USB5V.

## Wireless

WiFi : 802.11 b/g/n/e/i  
 WEP, WPA/WPA2 PSK/Enterprise  
 Bluetooth: Bluetooth 4.2/BLE

**A4/32** : The left is Matrix-Core IO function name and right is ESP32 GPIO name.  
 34\*,35\*,36\*,39\* only used as input.

## Matrix-Core I/O function

3 x UARTs, including hardware flow control  
 2 x SPI  
 2 x I2S  
 16 x ADC input channels  
 2 x DAC  
 2 x I2C  
 SD-card interface support  
 and so on...

## Notice

Attention to the correspondence of pins sorting