

Micro DC-Motor Modellspezifikationen



Produkt-Modell : VT-X-T28A-24-36

1. Standard-Betriebsbedingungen (Standard Operating Conditions)

NO.	Item	Specification	Test Method
1,1	Nennspannung (Rated Voltage)	DC 24.0V	Multimeter
1,2	Verhältnis (Gear Ratio)	337:1	
1,3	Drehungsrichtung (Rotation)	CW&CCW	Handle
1,4	Motor Position	All position in horizontal	Handle
1,5	Test Temperature	0 Degree - 30 Degree Celsius	Thermometer
1,6	Test Humidity	30% ~ 95%	Hygroscope

2. Motorleistung (Performance Of Motors)

NO.	Item	Specification	Test Method
2,1	Leerlaufdrehzahl (No-load Speed)	12000±10%rpm	Flash Speed Indicator
2,2	Leerlaufstrom (No-load Current)	0	DC Power Supply
2,3	Stall Strom (Stall Current)	0	DC Power Supply
2,4	Stall Moment (Stall Torque)	0	Torque Measure

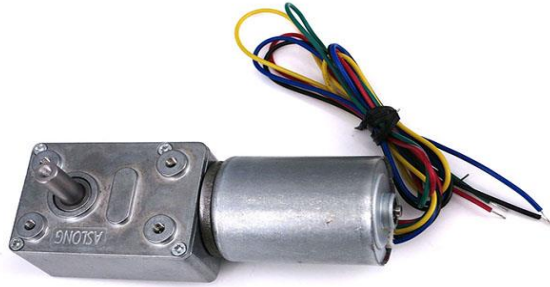
3. Gesamtleistung (Performance of Gear motors)

NO.	Item	Specification	Test Method
3,1	Drehzahl (Output Speed)	32±10%rpm	Flash Speed Indicator
3,2	Leerlauf Strom (No-load Current)	300mA(Max)	DC Power Supply
3,3	Stall Strom (Stall Current)	950mA(Max)	DC Power Supply
3,4	Stall Moment (Stall Torque)	<2451,75mNm	Torque Measure
3,5	Last Moment (Rated Torque)	980.7mNm	Torque Measure
3,6	Last Strom (Rated Current)	550mA(Max)	DC Power Supply
3,7	Lastdrehzahl (Rated Speed)	28±10%rpm	Flash Speed Indicator
3,8	Geräuschangaben 30CM (Noise)	56dB	Digital Sound Levd Meter

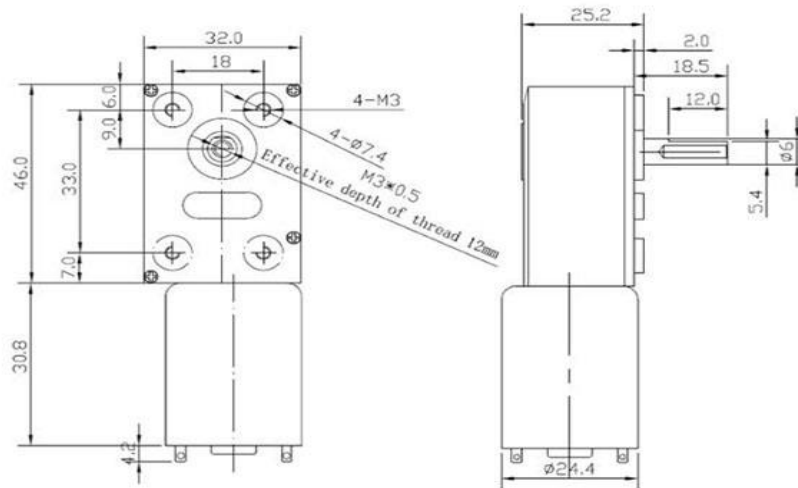
4. Dimension(The Dimension)

NO.	Item	Specification	Test Method
4,1	The Outside Shaft Length	18.5mm	Vernier Calipers
4,2	Axial Spiel (Shaft End Play)	0.05-0.50mm	Frock
4,3	Schraubengröße (Screw Size)	M3.0	Frock
4,4	Gewicht (weight)	151g	Weigh
4,5	Durchmesser der Welle(Dia.of shaft)	Φ6mmD12	Vernier Calipers
4,6	Outline Mounting Dimension	Refer to the Outline Drawing	Calipe

5. Produktbilder (The product photos)



6. Produktzeichnungen (Product drawings)



7. Diagramm

