

# Micro DC-Motor Modellspezifikationen



Produkt-Modell : VT-P-T37A-12-6

## 1. Standard-Betriebsbedingungen (Standard Operating Conditions)

NO.	Item	Specification	Test Method
1,1	Nennspannung ( Rated Voltage )	DC 12.0V	Multimeter
1,2	Verhältnis ( Gear Ratio)	972:1	
1,3	Drehungsrichtung ( Rotation )	CW&CCW	Handle
1,4	Motor Position	All position in horizontal	Handle
1,5	Test Temperature	0 Degree - 30 Degree Celsius	Thermometer
1,6	Test Humidity	30% ~ 95%	Hygroscope

## 2. Motorleistung (Performance Of Motors)

NO.	Item	Specification	Test Method
2,1	Leerlaufdrehzahl ( No-load Speed )	6000±10%rpm	Flash Speed Indicator
2,2	Leerlaufstrom (No-load Current )	60mA(Max)	DC Power Supply
2,3	Stall Strom (Stall Current)	2200mA(Max)	DC Power Supply
2,4	Stall Moment ( Stall Torque)	13,73mNm	Torque Measure

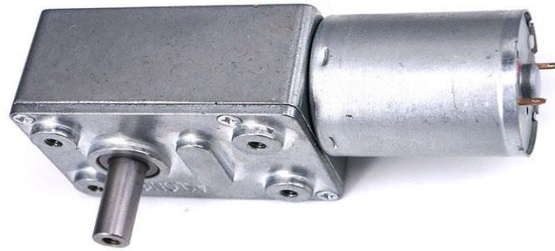
## 3. Gesamtleistung ( Performance of Gear motors)

NO.	Item	Specification	Test Method
3,1	Drehzahl (Output Speed)	6±10%rpm	Flash Speed Indicator
3,2	Leerlauf Strom (No-load Current)	50mA(Max)	DC Power Supply
3,3	Stall Strom (Stall Current)	1200mA(Max)	DC Power Supply
3,4	Stall Moment (Stall Torque)	>25483mNm	Torque Measure
3,5	Last Moment ( Rated Torque )	2942.1mNm	Torque Measure
3,6	Last Strom ( Rated Current )	200mA(Max)	DC Power Supply
3,7	Lastdrehzahl ( Rated Speed )	5±10%rpm	Flash Speed Indicator
3,8	Geräuschangaben 30CM ( Noise )	56dB	Digital Sound Levd Meter

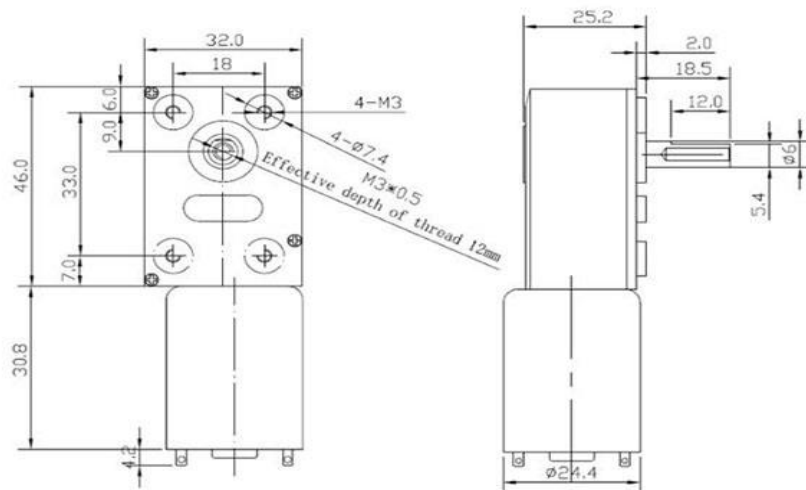
## 4. Dimension(The Dimension )

NO.	Item	Specification	Test Method
4,1	The Outside Shaft Length	18.5mm	Vernier Calipers
4,2	Axial Spiel ( Shaft End Play )	0.05-0.50mm	Frock
4,3	Schraubengröße ( Screw Size )	M3.0	Frock
4,4	Gewicht ( weight )	151g	Weigh
4,5	Durchmesser der Welle(Dia.of shaft)	Φ6mmD12	Vernier Calipers
4,6	Outline Mounting Dimension	Refer to the Outline Drawing	Calipe

## 5. Produktbilder (The product photos )



## 6. Produktzeichnungen (Product drawings )



## 7. Diagramm (Curve drawings )