

# V-TEC Motor



Double-sidee Magnetic Encoder

Relative humidity: 20%--85%RH  
Temperature range:-40°C--+85°C

## N Series Hall Encoder

Product Appearance Photo:



N20 Encoder Board

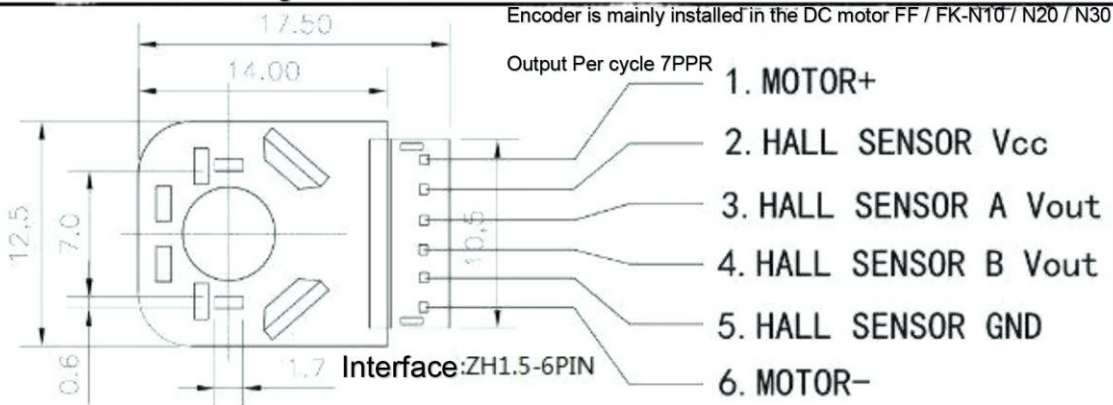


N-S 14 Pole



Connecting Terminal Wires

### Product Dimension Diagram and Connection:



### Encoder Electrical Characteristics

Specifications	Code	Test Conditions	Min.	Basic	Max.	UNITS
Input voltage	Vcc	----	4.5	--	24	V
Input Current	I <sub>ce</sub>	----	--	14	20	mA
Output current	I <sub>c</sub>	V <sub>ce</sub> =12V; Gauss ≤ -170	--	≤0.1	20	mA
Output leakage current	I <sub>cex</sub>	Output open; 25°C [77°F]	--	--	10	μA
Output Rise Time	T <sub>r</sub>	RL=820Ω ; CL=20pF; 25°C	--	0.5	1.5	μS
Output Drop Time	T <sub>f</sub>	RL=820Ω ; CL=20pF; 25°C	--	0.2	1.5	μS

