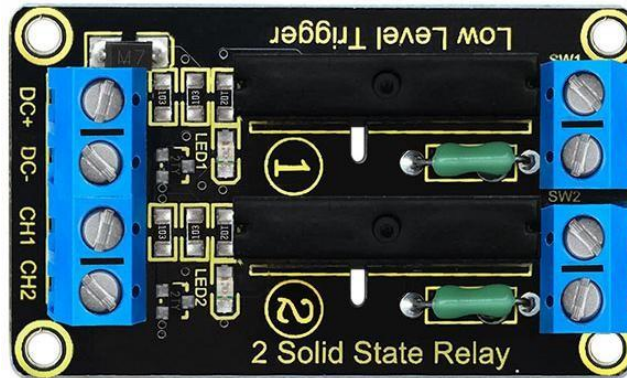


Keystudio Two-channel Solid State Relay



Introduction

Keystudio two-channel solid state relay is **active at LOW** level, that is to say, the input control signal is the low level (0-1.5 V), the relay is on; while the input control signal is high level (3-5 V), the relay is off.

Solid State Relay is a new kind of contactless switching device, which is composed of all solid state electronic components.

Compared with the electromagnetic relay, it has higher reliability, with the features of non-contact, long service life, fast speed and less outside interference.

The output control terminal of keystudio solid-state relay must be connected to the circuit, can only be **AC (Alternating Current)**, so that the solid state relay can be disconnected normally.

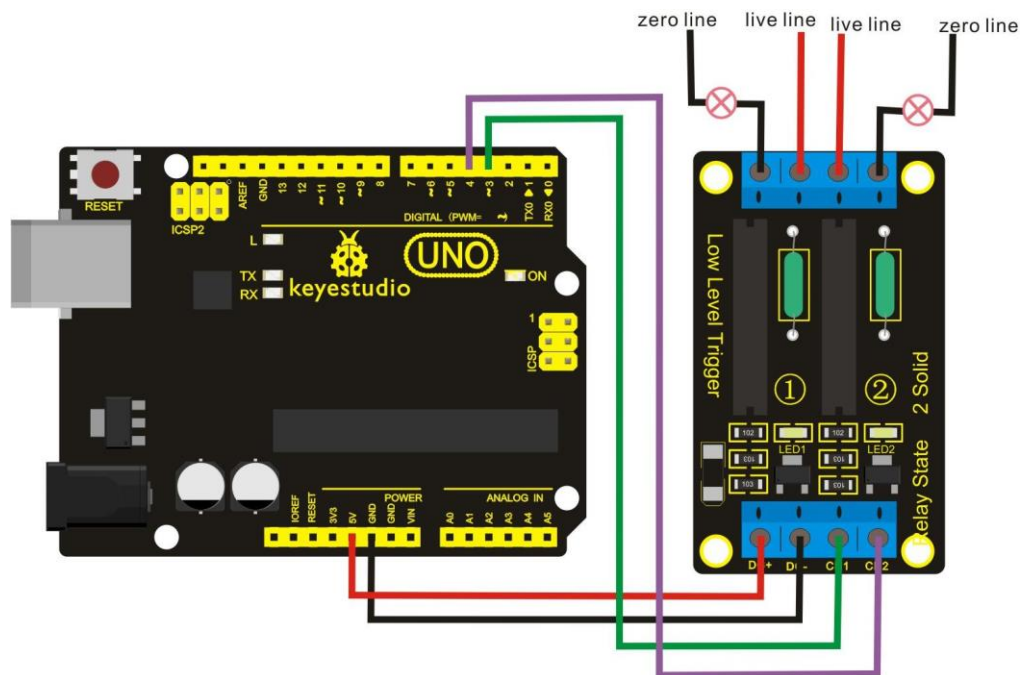
Performance Parameters

- Electrical parameters:

	Voltage	Static Current	Working Current	Trigger Voltage	Trigger Current
Channel 1	DC 5V	0mA	12.5mA	0-1.5V	2mA
Channel 2	DC 5V	0mA	12.5mA	0-1.5V	2mA

- Output port: AC 100V/2A

Connection Diagram



Sample Code

```
////////////////////////////////////////////////////////////////////////////////////////////////////////////////////////////////
```

```
int BASE = 3 ; //The first relay I/O port
```

```
int NUM = 2; //Total number of relay
```

```
void setup()
```

```
{
```

```
  for (int i = BASE; i < BASE + NUM; i ++)
```

```
  {
```

```
    pinMode(i, OUTPUT); //Set the digital I/O port to output
```

```
  }
```

```
}
```

```
void loop()
```

```
{
```

```
  for (int i = BASE; i < BASE + NUM; i ++)
```

```
  {
```

```
    digitalWrite(i, LOW); //Set the digital I/O port outputs to
```

```
"low", that is, gradually open relay
```

```
    delay(200); //delay
```

```
  }
```

```
  for (int i = BASE; i < BASE + NUM; i ++)
```

```
https://eckstein-shop.de/Keystudio
```

```
{  
    digitalWrite(i, HIGH);    //Set the digital I/O port outputs to  
    "high", that is, gradually close relay  
    delay(200);              //delay  
}  
}
```

////////////////////////////////////

Test Result

Wiring as the above image, after powered-on, the two-channel solid state relay is first connected and then disconnected successively, repeating alternately.