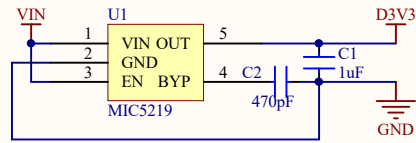


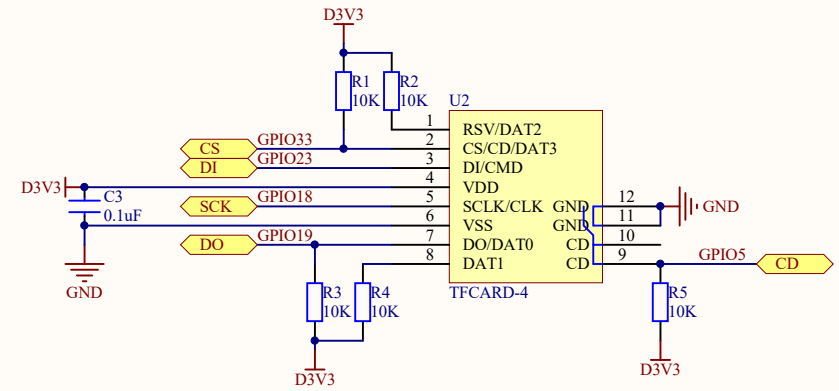
Power(LDO 3.3v)



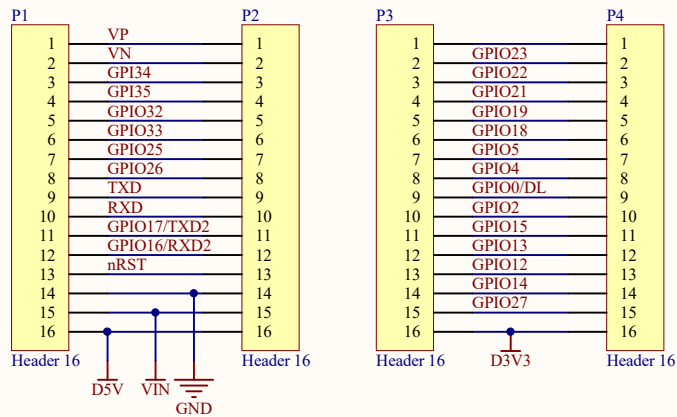
TFCard Holder

Connect to VSPI on ESP32(Arduino default select)

CS:33
CD:5



Connectors



Title			
Size	Number		Revision
A4			
Date:	2018/7/3	Sheet of	
File:	D:\	\\SDshield.SchDoc	Drawn By: