

Brass Pipe for Heat Meter Specification

■ Model: HS0002-002//RC20/HS-US0002-000-02

■ Introduction

Acting as the signal transmitter of Ultrasonic Heat Meter, The heat meter body is designed to supply precise, stable and continuous ultrasonic signal for heat meter circuit.

In accordance to the“Professional Standard on Urban Construction of The People's Republic of China”(CJ128-2007) and the relevant regulations, Audiowell designs the family used ultrasonic heat meter body on the basis of comprehensive consideration of different demand in the world market. The ultrasonic flow sensors used have characteristics in high sensitivity, stable performance, low power consumption, and so on.

■ Structure and Principle

Structure Composition: A pair of ultrasonic flow sensor and a brass pipe.

■ Electrical performance parameters

| Item | Unit | Standard | Test condition T=25°C |
|--------------------------|------|----------|-----------------------------|
| Thick Resonant frequency | KHz | 975±30 | Agilent 4294A |
| Resonant impedance | Ω | ≤110 | Agilent 4294A |
| Static capacitance | pF | 1350±20% | Digital bridge At:1000Hz/1V |

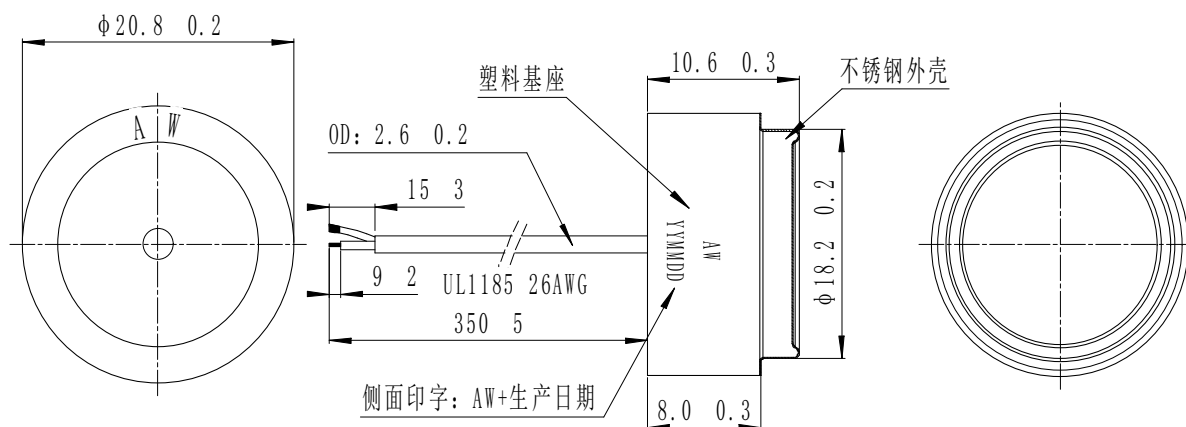
■ Technical Parameter

| | | |
|--------------------------|-------------------|-------|
| Nominal Diameter DN | | 20 |
| Installation Length L | | 130 |
| Connecting Thread D | | G1 |
| Permanent Flowrate Q (P) | m ³ /h | 2.5 |
| Max Flowrate Q(max) | m ³ /h | 5.0 |
| Min Flowrate Q(min) | m ³ /h | 0.050 |

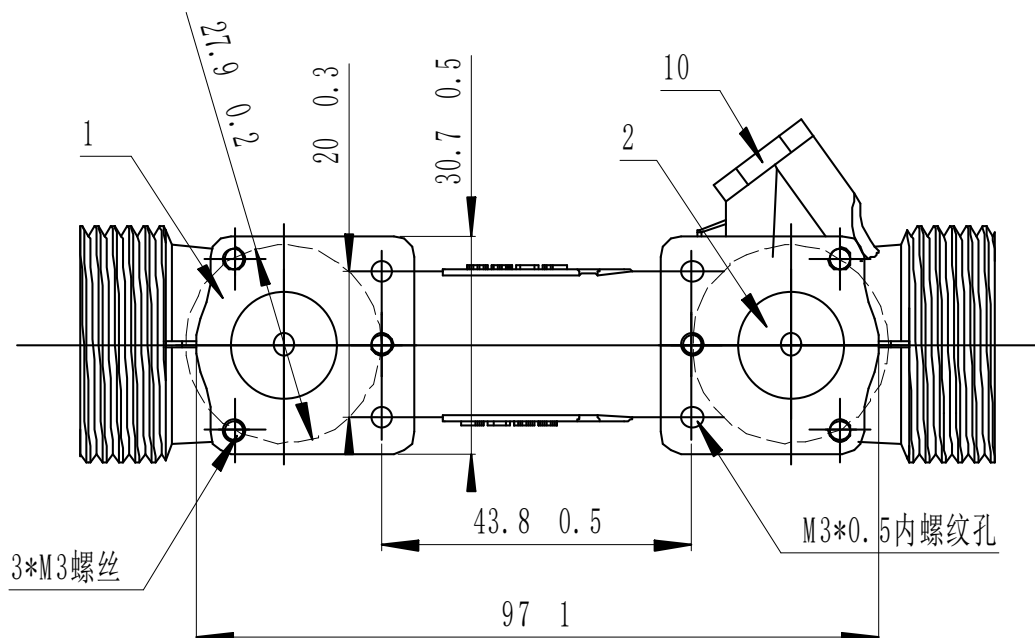
| | | |
|-----------------------|---------------------|--------|
| Ultimate Pressure | MPa | 1.6 |
| Working Temperature | °C | 5~90°C |
| Installation Position | Water Inlet | |
| Installation Mode | Pipe threaded joint | |

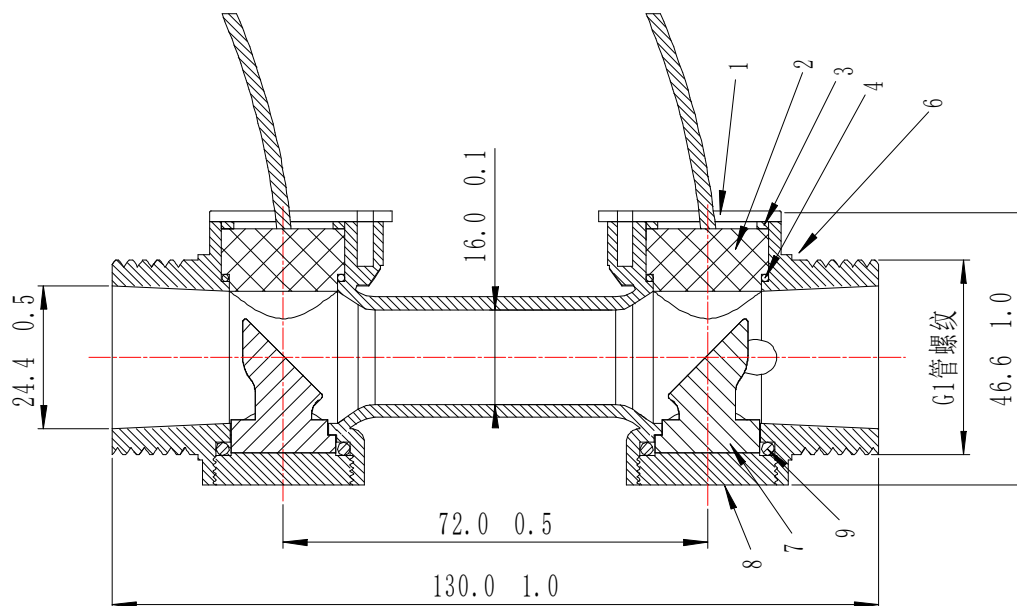
■ Appearance and dimensions (Unit: mm)

1. Sensor



2. Assembly dimensions





3.Product List

| NUM | Name | Quantity |
|-----|-------------------------------------|----------|
| 1 | Alloy slice | 2 |
| 2 | Sensor | 2 |
| 3 | Metal gasket | 2 |
| 4 | Seal ring for sensor | 2 |
| 5 | M3*6 screw | 6 |
| 6 | Metal pipe | 1 |
| 7 | Reflection pillar | 2 |
| 8 | Fastening knob of reflection pillar | 2 |
| 9 | Rubber ring of reflection pillar | 2 |
| 10 | End cap of temperature sensor | 1 |
| 11 | Seal ring for temperature sensor | 1 |

■ Package:



| PCS/CTN | Carton 109 (cm) | Carton 128 (cm) | Gross weight(Kg) | Net weight (Kg) |
|---------|--------------------|--------------------|-----------------------|----------------------|
| 20 | 16.5*10.5*8.5 | 53.5*17*18 | 10.7 | 9.2 |

■ **Note:**

- 1) Storage Condition:-20 °C~+80 °C。
- 2) Please take Anti interference into consideration when designing driving circuit.)
- 3) Driving voltage is suggested to be lower than 5Vp-p.
- 4) Maximum pressure endurance is 1.6MPa.

