



US0039-000

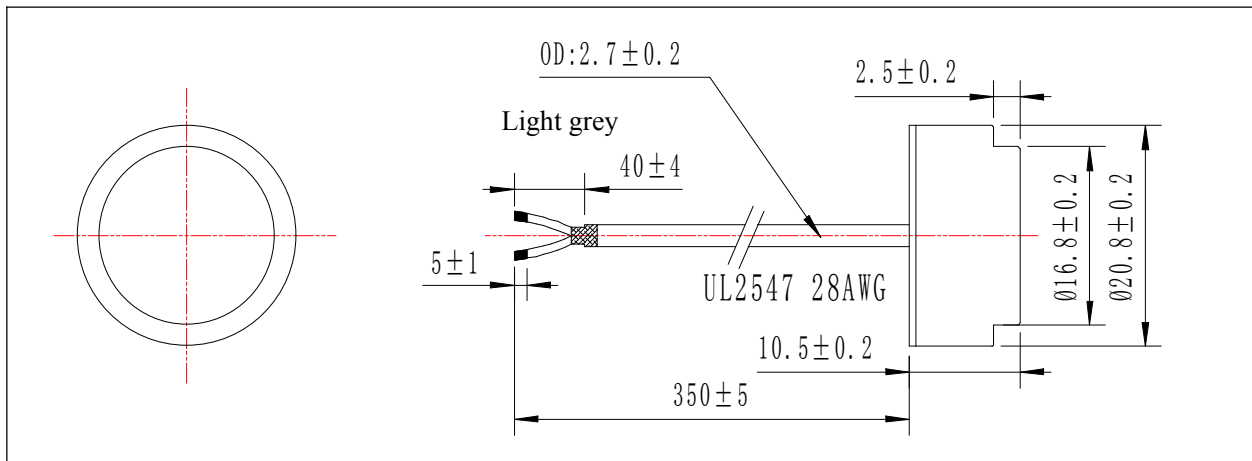
SPECIFICATIONS

■ **Model Number:** T/R965-US0039L353-01

■ **Specifications**

Item	Unit	Standard	Test condition T=25°C
Thick Resonant frequency	KHz	965±30	Agilent 4294A
pause width	KHz	60(typ)	Agilent 4294A
Receiving Signal	mV	≥220	Fig1(receiving signal test device) At:1MHz/1Vp-p/20 pulse/interval 20ms
Resonant impedance	Ω	≤110	Agilent 4294A
Static capacitance	pF	1150±20 %	Digital Bridge At:1000Hz/1V
Allowable Maximum Input Voltage	Vp-p	5	At: 1MHz
Maximum pressure endurance	MPa	2.5	At: 6min
Mean Time To Failure	years	5	At: 1MHz/1Vp-p
Operating Temperature	°C	+0.1~ +90	
Storage temperature	°C	-25~+90	

■ **Apperance and Dimensions (mm)**



NOTE: All materials are ROHS, But Piezo is releas.

■ **Measuring Method of Receiving Signal**

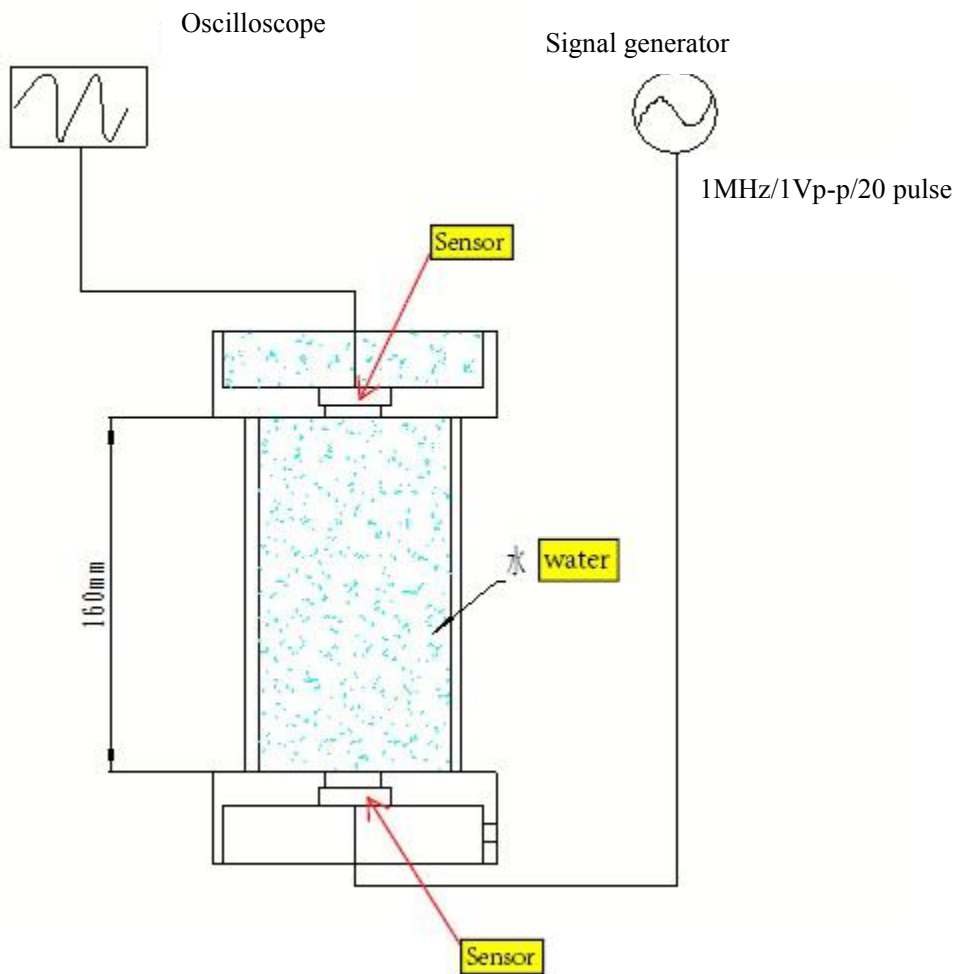


FIG1

■ **Environmental Testing**

Test Item	Test condition	Requirement	Test standard
High temperature storage test	Keep the sample at 90±3℃, 0.3MPa for 96 hours	Electrical Performance changes meet Appendix 1	Reference standards: GB2423.2 Bb and CJ128-2007
Low temperature storage test	Kepp the sample at -25±3℃ for 96 hours	Electrical Performance changes meet Appendix 1	Reference standards: GB2423.2 Ab and GB2423.1-2008
Alternating temperature humidity test	Keep the sample at 25±3℃, humidity of 95% for 1 hour. Then rise the temperature to 55±3℃ in 3 hours and keep for 9±0.5 hours. And then low the temperature to 25±3℃ in 3 hours and keep for 9±0.5 hours. That cycle repeats for 6 times	Electrical Performance changes meet Appendix 1	Reference standards: GB2423.4 Db
Static pressure test	Put the sample on pressure test device, start the pressure test at 80±5℃. Apply 2,5MPa water pressure for 6 mins.	Electrical Performance changes meet Appendix 1	Reference standards: EN1434-2007
Dynamic pressure test	Put the sample on pressure test device at 25±5℃. Apply the pressure from 0.05MPa to 0.4MPa in 1 second, then from 2.5MPa to 0.5MPa in another 1 second. That cycle repeats for 4000 times	Electrical Performance changes meet Appendix 1	Enterprise standard: Q/CYADW2—2014
<p>Note: Each test is Individual test and samples should be more than 5pcs for each test. Normal temperature condition: T=25±3℃, H=45~65%R.H</p>			

Appendix 1: Electrical Performance changes value

Number	Parameter	Change value
1	Resonant frequency	+/-5%
2	Resonant impedance	+/-30%
3	Static capacitance	+/-20%
4	Receiving Signal	+/-30%

■ Packaging

PCS/CTN	Carton 123 (cm)	Carton 125 (cm)	Gross weight	Net weight
600	39.5*31*2.8	44*32*29	8.5	7.0

■ Precautions

1. The product can only used for liquid medium, not for air medium.
2. Please consider to add Anti interference fuction in drive circuit.
3. To avoid the accident caused by failure, please add anti-failure function when design the secondary product.
4. Please separate the proudet and the housing by soft rubber ring if need to add housing for this product. Please keep the product emitting surface free vibration, or the performance may be changed.
5. Please do not use the product under the below conditions to avoid any fault or performance degradation
 - a) Strong Impact or vibration
 - b) Soluble organic matter environment
 - c) Over maximum input voltage

■ Contact Information

TEL: +86-20-84802041

E-MAIL: inquire@audiowell.com

WEB: www.audiowell.com